

Panasonic

Analog Proprietary Telephones
for Advanced Hybrid System

Operating Instructions

KX-T7320
KX-T7335
Model **KX-T7350**

Contents

Accessories	2
Getting Started	3
Connection	3
Adjusting rear panel controls	3
Location of Controls	4
Features List for KX-TA624	5
Making Calls	5
During a Conversation	5
Useful Features	6
Station Programming for KX-TA624	8
Features List for KX-TA1232	9
Making Calls	9
During a Conversation	9
Useful Features	10
Station Programming for KX-TA1232	12
Wall Mounting	13
Important Safety Instructions	14
FCC and Other Information	15

Please read this manual before using the Analog Proprietary Telephone.

Thank you for purchasing a Panasonic Telephone.

Accessories

When unpacking, check the following items.

- Handset one
- Telephone line cord one
- Handset cord one
- Overlay one (KX-T7335 only)
- Card holder with memory station card one (KX-T7320, KX-T7335 only)

When you ship the product

Carefully pack and send it prepaid, adequately insured and preferably in the original carton. Attach a postage-paid letter, detailing the symptom to the outside of the carton.

DO NOT send the product to the Executive or Regional Sales offices. They are NOT equipped to make repairs.

Product service

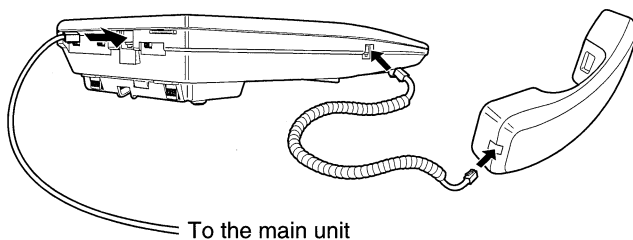
Panasonic Servicenters for this product are listed in the servicenter directory. Consult your authorized Panasonic dealer for detailed instructions.

For your future reference

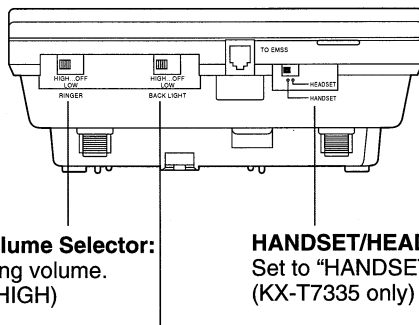
SERIAL NO. _____ DATE OF PURCHASE _____ (found on the bottom of the unit)
NAME OF DEALER _____
DEALER'S ADDRESS _____

Getting Started

■ Connection



■ Adjusting rear panel controls

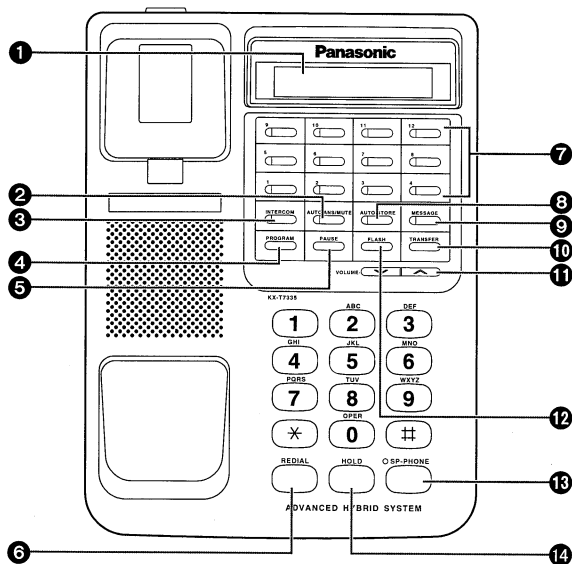


RINGER Volume Selector:
Set the ringing volume.
(OFF/LOW/HIGH)

HANDSET/HEADSET Selector:
Set to "HANDSET".
(KX-T7335 only)

BACK LIGHT Control Selector:
Adjust the BACK LIGHT Control Selector lever
to the desired setting. (OFF/LOW/HIGH)
(KX-T7335 only)

Location of Controls



* The illustration used in this page is a KX-T7335.

1 LCD (Liquid Crystal Display)
(KX-T7335 only)

2 AUTO ANS (Auto Answer)/MUTE:
AUTO ANS is used to answer an intercom call automatically. MUTE is used to listen to the other party without them hearing you in the handsfree conversation mode.

VOICE CALL (KX-T7350 only):
Used to receive an intercom call and to listen to the other party without them hearing you in the handsfree mode.

3 INTERCOM:
Used to make or receive an intercom call.

4 PROGRAM:
Used to enter and exit the programming mode.

5 PAUSE (in programming):
Inserts a pause between the access number and the phone number. PAUSE button works when you release the PAUSE button.

6 REDIAL (ordinarily):
Redials the last number dialed.

7 Flexible Outside (CO) Line Buttons:
Used to make or receive an outside call, or access a feature if the button is assigned as Programmable Feature button.

8 AUTO/STORE
Used for speed dialing in the system or storing program changes.

9 MESSAGE:
Used to send a message or display a current message.

10 TRANSFER:
Used to transfer a call to another party.

11 Volume Control Button:
Used to adjust the volume.

12 FLASH:
Used to disconnect or send a flash signal.

13 SP-PHONE:
Used for the handsfree operation.
MONITOR (KX-T7350 only):
Used for a handsfree dialing operation.


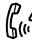

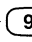






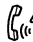











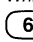






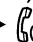
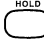


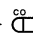



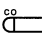





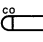



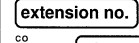
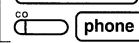
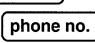
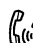

14 HOLD:
Used to place a call on hold.

Feature List for KX-TA624

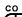
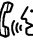
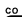
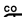







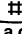



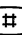
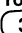






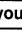


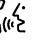

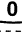

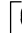







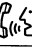

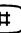
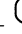









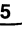


 Outside (CO) Line button
  Off-hook
  On-hook
  Feature number
  Talk

* "Location of Controls" is shown on page 4.

Some feature access numbers may be different. Consult with your dealer for more details.

Desired Function	Operation
Making Calls	
Calling	To an extension:  ► extension no. ►  To an external party:  ► 9 /  ► phone no. ► 
Redial	 ►  ► 
One-Touch Dialing	To dial:  ►  — assigned as a One-Touch Dialing button ► 
Calling an operator	 ► 0 ► 
Speed Dialing (Personal)	To set:  ► 2 * ► personal speed dial no. (0-9) ► desired no. ► # ►  To dial:  ► # ► personal speed dial no. (0-9) ► 
Speed Dialing (System)	To dial:  ►  ► system speed dial no. ► 
Doorphone Call	 ► 3 1 ► doorphone no. ► 
Automatic Callback Busy	To set: While hearing a busy tone:  ► 6 ►  To answer the extension:  ►  To cancel:  ►  To answer the outside (CO) line:  ► phone no. ► 
During a Conversation	
Holding a call	Holding:  ►  To retrieve a call at the holding extension:  ►  /  ►  To retrieve an outside call from another extension:  ►  ► 
Holding a call exclusively	Holding:  ►  ►  To retrieve a call on exclusive hold:  ►  /  ► 
Transferring a call	 ►  to an extension  ►  to an external party ►  ► 


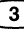
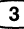



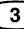

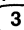

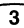


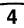


















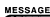










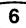



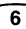
















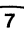
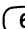




Feature List for KX-TA624

Desired Function	Operation
During a Conversation	
<p>Three-party conference</p>	<p>To add a third party  — assigned as a CONF (Conference) button *1 ▶ third party's no. ▶  ▶  — assigned as a CONF (Conference) button *1</p> <p>To talk to one party by terminating the other  / </p> <p>To leave a conference </p>
Useful Features	
<p>Forwarding a call and Do Not Disturb (DND)</p>	<p> ▶   — assigned as a FWD/DND button*2 ▶ </p> <div style="border: 1px dashed black; padding: 5px;"> <p>Do Not Disturb (DND)  ▶ </p> <p>Forwarding a call</p> <p>All calls  ▶ extension no. ▶ </p> <p>Busy / No answer  ▶ extension no. ▶ </p> <p>To an outside line  ▶ Line access code ▶ </p> <p>Follow Me  ▶ phone no. ▶ </p> <p>Cancel Follow Me  ▶ your extension no. ▶ </p> <p>Cancel  ▶ </p> </div>
<p>Picking up a call</p>	<p> ▶ <div style="border: 1px dashed black; padding: 5px;"> Directed Group  ▶ extension no. ▶    </div></p>
<p>Call Waiting</p>	<p> ▶    Outside (CO) line calls    Intercom and doorphone calls</p> <p>To talk to the new party <i>While hearing a tone</i>  /  ▶ </p> <p>  Set   Cancel</p>
<p>Setting Absent Message</p>	<p>To set  ▶   ▶ message no. (1-6) ▶ parameter (if required) ▶  ▶ </p> <p>To cancel  ▶     ▶ </p>

*1 If CO button is not assigned, you can press Volume control button (v) while pressing PAUSE button.

*2 If CO button is not assigned, you can press Volume control button (^) while pressing PAUSE button.



Desired Function	Operation	
Useful Features		
Paging	To page	 ▶ All groups & external speakers <div style="border: 1px dashed black; padding: 5px; display: inline-block;">  ▶   * ▶  ▶  All groups   0 Specific groups   paging group no. External speaker   </div>
	To answer	 ▶ <div style="border: 1px dashed black; padding: 5px; display: inline-block;"> </div> ▶ 
	To deny	 ▶ <div style="border: 1px solid black; padding: 5px; display: inline-block;">     # Set    0 # Cancel </div> ▶ 
Message Waiting	Sender	To leave a notification <i>When the called extension is busy or does not answer</i>  ▶  To cancel a notification  ▶ extension no. ▶   ▶ 
	Receiver	To call back  ▶  ▶  To clear all notifications  ▶    ▶ # ▶ 
Log-In/Log-Out	 ▶ <div style="border: 1px solid black; padding: 5px; display: inline-block;">     # For Log-In     # For Log-Out </div> ▶ 	
Locking your extension	 ▶ <div style="border: 1px solid black; padding: 5px; display: inline-block;">   lock code (0000-9999) lock code (same code) # Lock   lock code (0000-9999) # Unlock </div> ▶ 	
Clearing the Feature Settings	 ▶   # ▶ 	
Timed Reminder	To set	 ▶   ▶ hour (01-12) minute (00-59) ▶ 0 AM ▶ 1 PM ▶ 1 # one time ▶ 2 # daily ▶ 
	To cancel	 ▶    # ▶  To stop the alarm  ▶ 

Station Programming for KX-TA624

To enter the programming mode		To exit the programming mode	
PROGRAM		PROGRAM	
Operation			
Direct Station Selection	CO → 1 → extension no. → AUTO/STORE	CONF (Conference)	CO → 3 → AUTO/STORE
One-touch Dialing	CO → 2 → desired no. → AUTO/STORE	Log-In/Log-Out	CO → 8 → AUTO/STORE
FWD/DND	CO → 4 → AUTO/STORE	SAVE	CO → 5 → AUTO/STORE
Caller ID Indication – Common	CO → 9 → 6 → AUTO/STORE	Caller ID Indication – Personal	CO → 6 → AUTO/STORE
Caller ID Selection – Common	CO → 9 → 7 → AUTO/STORE	Caller ID Selection – Personal	CO → 7 → AUTO/STORE
Preferred Line Assignment, Outgoing	1 → 1 → AUTO/STORE 1 → 2 → AUTO/STORE	no line idle line	
Preferred Line Assignment, Incoming	2 → 1 → AUTO/STORE 2 → 2 → AUTO/STORE	no line ringing line	
Intercom Alert Assignment	4 → 1 → AUTO/STORE 4 → 2 → AUTO/STORE	ring calling voice calling	
Call Waiting Tone Type Assignment	5 → 1 → AUTO/STORE 5 → 2 → AUTO/STORE	tone 1 tone 2	
Station Programming Data Default Set *	Ⓜ → * → AUTO/STORE		

If you press PROGRAM button during on-hook, the proprietary telephone goes to the program mode. And if you press it again during program mode, the proprietary telephone returns to on-hook condition. (It operates like an alternate switch.) AUTO indicator lights on during Program mode.


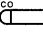


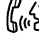


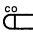
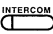





* Note: This only default clears assignments not using a CO button.

Feature List for KX-TA1232

Desired Function	Operation
Making Calls	
Calling	<p>To an extension ► extension no. ► </p> <p>To an external party ► CO ► phone no. ► </p>
Redial	► REDIAL ►
One-Touch Dialing	To dial ► CO — assigned as a One-Touch Dialing button ►
Calling an operator	► 0 ►
Speed Dialing (Personal)	<p>To set ► 3 0 ► personal speed dial no. (0-9) ► desired no. ► # ► </p> <p>To dial ► 3 * ► personal speed dial no. (0-9) ► </p>
Speed Dialing (System)	To dial ► AUTO/STORE ► system speed dial no. ►
Doorphone Call	► 3 1 ► doorphone no. (1-4) ►
Automatic Callback Busy	<p>To set <i>While hearing a busy tone</i> ► 6 ► </p> <p>To answer the extension ► </p> <p>To cancel ► 4 6 ► </p> <p>To answer the outside (CO) line ► phone no. ► </p>
During a Conversation	
Holding a call	<p>Holding ► </p> <p>To retrieve a call at the holding extension ► CO / INTERCOM ► </p> <p>To retrieve an outside call from another extension ► CO ► </p>
Holding a call exclusively	<p>Holding ► HOLD ► </p> <p>To retrieve a call on exclusive hold ► CO / INTERCOM ► </p>
Transferring a call	<p>TRANSFER ► ► [extension no. to an extension / CO phone no. to an external party] ► ► </p>
Three-party conference	<p>To add a third party CO — assigned as a CONF (Conference) button * ► third party's no. ► ► CO — assigned as a CONF (Conference) button *</p> <p>To talk to one party by terminating the other CO / INTERCOM</p> <p>To leave a conference </p>


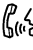

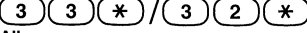
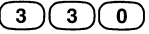
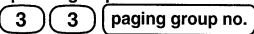
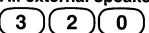
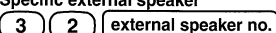


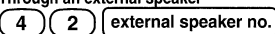


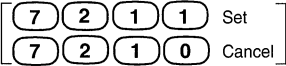
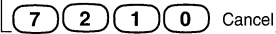




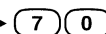



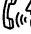




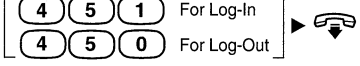
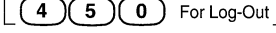


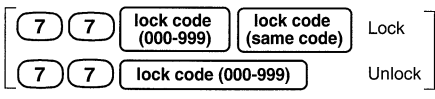
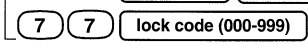


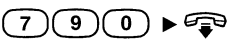


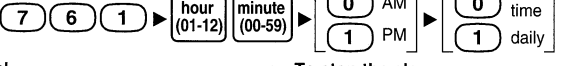


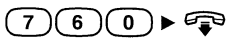



* If CO button is not assigned, you can press Volume control button (v) while pressing PAUSE button.

Feature List for KX-TA1232

Desired Function	Operation
<p>Forwarding a call and Do Not Disturb (DND)</p>	<p style="text-align: center;">Useful Features</p> <div style="border: 1px dashed black; padding: 10px;">  <p> 7 1 0 </p> <p>  assigned as a FWD/DND button * </p> <p> 1 Do Not Disturb (DND) </p> <p> 2 Forwarding a call </p> <p>All calls</p> <p> 2 ▶ extension no. </p> <p>Busy</p> <p> 3 ▶ extension no. </p> <p>No answer</p> <p> 4 ▶ extension no. </p> <p>Busy / No answer</p> <p> 5 ▶ extension no. </p> <p>To an outside line</p> <p> 6 ▶ Line access code </p> <p style="padding-left: 20px;">▶ phone no. ▶ #</p> <p>Follow Me</p> <p> 7 ▶ your extension no. </p> <p>Cancel Follow Me</p> <p> 8 ▶ your extension no. </p> <p>Cancel</p> <p> 0 </p>  </div>
<p>Picking up a call</p>	<div style="border: 1px dashed black; padding: 10px;">  <p> Directed 4 1 ▶ extension no. ▶  </p> <p> Group 4 0 </p> <p> Outside line 4 * </p> </div>
<p>Call Waiting</p>	 <p> 7 3 1 1 Set </p> <p> 7 3 1 0 Cancel </p> <p>▶ </p> <p>To talk to the new party While hearing a tone</p> <p>  /  ▶  </p>
<p>Setting Absent Message</p>	<p>To set</p> <p>  ▶ 7 5 0 ▶ message no. (1-9) ▶ parameter (if required) ▶  </p> <p>To cancel</p> <p>  ▶ 7 5 0 0 ▶  </p>

* If CO button is not assigned, you can press Volume control button (^) while pressing PAUSE button.



Desired Function	Operation	
Useful Features		
Paging	To page	 ▶ All groups & external speakers ▶  ▶   3 3 * / 3 2 * All groups  3 3 0 Specific group  3 3 <input type="text" value="paging group no."/> All external speakers  3 2 0 Specific external speaker  3 2 <input type="text" value="external speaker no."/>
	To answer	 ▶ Through a telephone speaker  4 3 Through an external speaker  4 2 <input type="text" value="external speaker no."/> ▶  To deny  ▶  7 2 1 1 Set  7 2 1 0 Cancel ▶ 
Message Waiting	Sender	To leave a notification <i>When the called extension is busy or does not answer</i>  MESSAGE  To cancel a notification  ▶  7 0 0 ▶ <input type="text" value="extension no."/> ▶ 
	Receiver	To call back  MESSAGE   To clear all notifications  ▶  7 0 0 ▶ <input type="text" value="your extension no."/> ▶ 
Log-In/Log-Out	 ▶  4 5 1 For Log-In  4 5 0 For Log-Out ▶ 	
Electronic Station Lockout	 ▶  7 7 <input type="text" value="lock code (000-999)"/> <input type="text" value="lock code (same code)"/> Lock  7 7 <input type="text" value="lock code (000-999)"/> Unlock ▶ 	
Station Program Clear	 ▶  7 9 0 ▶ 	
Timed Reminder	To set	 ▶  7 6 1 ▶ <input type="text" value="hour (01-12)"/> <input type="text" value="minute (00-59)"/> ▶ <input type="text" value="0 AM"/> ▶ <input type="text" value="0 one time"/> ▶  <input type="text" value="1 PM"/> ▶ <input type="text" value="1 daily"/>
	To cancel	 ▶  7 6 0 ▶  To stop the alarm  ▶ 

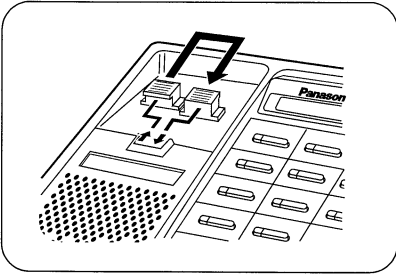
Station Programming for KX-TA1232

To enter the programming mode		To exit the programming mode	
Operation			
Direct Station Selection	CO <input type="text"/> ► 1 <input type="text"/> extension no. ► <input type="text"/> AUTO/STORE	CONF (Conference)	CO <input type="text"/> ► 7 0 ► <input type="text"/> AUTO/STORE
One-touch Dialing	CO <input type="text"/> ► 2 <input type="text"/> desired no. ► <input type="text"/> AUTO/STORE	Log-In/Log-Out	CO <input type="text"/> ► 7 1 ► <input type="text"/> AUTO/STORE
FWD/DND	CO <input type="text"/> ► 4 ► <input type="text"/> AUTO/STORE	SAVE	CO <input type="text"/> ► 5 ► <input type="text"/> AUTO/STORE
Caller ID Indication – Common	CO <input type="text"/> ► 9 6 ► <input type="text"/> AUTO/STORE	Caller ID Indication – Personal	CO <input type="text"/> ► 9 4 ► <input type="text"/> AUTO/STORE
Caller ID Selection – Common	CO <input type="text"/> ► 9 7 ► <input type="text"/> AUTO/STORE	Caller ID Selection – Personal	CO <input type="text"/> ► 9 5 ► <input type="text"/> AUTO/STORE
Preferred Line Assignment, Outgoing	1 1 ► <input type="text"/> AUTO/STORE no line 1 2 ► <input type="text"/> AUTO/STORE idle line		
Preferred Line Assignment, Incoming	2 1 ► <input type="text"/> AUTO/STORE no line 2 2 ► <input type="text"/> AUTO/STORE ringing line		
Intercom Alert Assignment	4 1 ► <input type="text"/> AUTO/STORE ring calling 4 2 ► <input type="text"/> AUTO/STORE voice calling		
Call Waiting Tone Type Assignment	5 1 ► <input type="text"/> AUTO/STORE tone 1 5 2 ► <input type="text"/> AUTO/STORE tone 2		
Station Programming Data Default Set *	# ► <input type="text"/> AUTO/STORE		

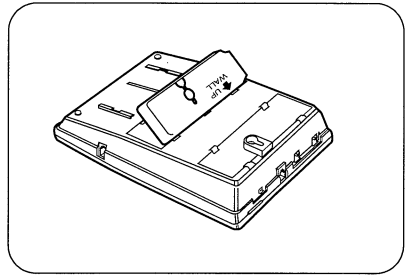
* Note: This only default clears assignments not using a CO button.

Wall Mounting

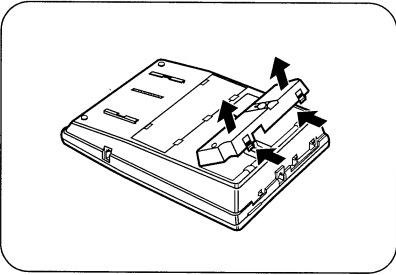
- 1** Remove the handset hook by pulling it toward the top of the unit. Turn it around and re-insert it.



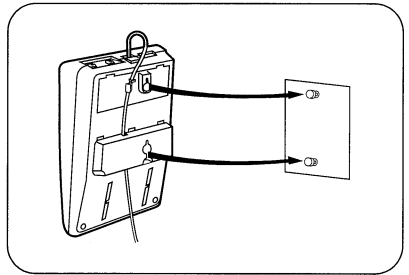
- 4** Insert the stand in the center slots.



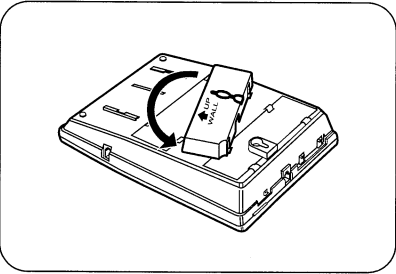
- 2** Remove the attached stand.



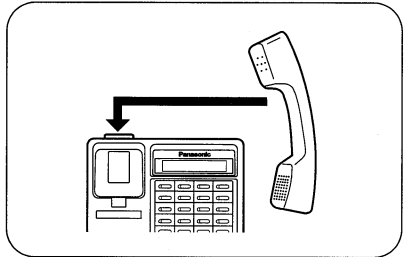
- 5** Mount the unit on the wall.



- 3** Turn it around 180 degrees.



To temporary place the handset down during a conversation.
Hook it over the top edge of the phone as shown.



* The illustrations used in this page are a KX-T7335.

Important Safety Instructions

When using your telephone equipment, basic safety precautions should always be followed to reduce the risk of fire, electric shock and injury to persons, including the following:

1. Read and understand all instructions.
2. Follow all warnings and instructions marked on the product.
3. Unplug this product from the wall outlet before cleaning. Do not use liquid cleaners or aerosol cleaners. Use a damp cloth for cleaning.
4. Do not use this product near water, for example, near a bath tub, wash bowl, kitchen sink, or laundry tub, in a wet basement, or near a swimming pool.
5. Do not place this product on an unstable cart, stand, or table. The product may fall, causing serious damage to the product.
6. Slots and openings in the cabinet and the back or bottom are provided for ventilation, to protect it from overheating, these openings must not be blocked or covered. The openings should never be blocked by placing the product on the bed, sofa, rug, or other similar surface. This product should never be placed near or over a radiator or heat register. This product should not be placed in a built-in installation unless proper ventilation is provided.
7. Do not allow anything to rest on the telephone cord. Do not locate this product where the cord will be abused by persons walking on it.
8. Do not overload wall outlets and extension cord as this can result in the risk of fire or electric shock.
9. Never push objects of any kind into this product through cabinet slots as they may touch dangerous voltage points or short out parts that could result in a risk of fire or electric shock. Never spill liquid of any kind on the product.

10. To reduce the risk of electric shock, do not disassemble this product, but take it to a qualified serviceman when some service or repair work is required. Opening or removing covers may expose you to dangerous voltages or other risks. Incorrect reassembly can cause electric shock when the appliance is subsequently used.
11. Unplug this product from the wall outlet and refer servicing to qualified service personnel under the following conditions:
 - A. When the power supply cord or plug is damaged or frayed.
 - B. If liquid has been spilled into the product.
 - C. If the product has been exposed to rain or water.
 - D. If the product does not operate normally by following the operating instructions. Adjust only those controls, that are covered by the operating instructions because improper adjustment of other controls may result in damage and will often require extensive work by a qualified technician to restore the product to normal operation.
 - E. If the product has been dropped or the cabinet has been damaged.
 - F. If the product exhibits a distinct change in performance.
12. Avoid using a telephone (other than a cordless type) during an electrical storm. There may be a remote risk of electric shock from lightning.
13. Do not use the telephone to report a gas leak in the vicinity of the leak.

**SAVE THESE
INSTRUCTIONS**

FCC and Other Information

NOTE:

This equipment has been tested and found to comply with the limits for a Class B digital device, pursuant to Part 15 of the FCC Rules. These limits are designed to provide reasonable protection against harmful interference in a residential installation. This equipment generates, uses and can radiate radio frequency energy and, if not installed and used in accordance with the instructions, may cause harmful interference to radio communications. However, there is no guarantee that interference will not occur in a particular installation. If this equipment does cause harmful interference to radio or television reception, which can be determined by turning the equipment off and on, the user is encouraged to try to correct the interference by one or more of the following measures:

- Reorient or relocate the receiving antenna.
- Increase the separation between the equipment and receiver.
- Connect the equipment into an outlet on a circuit different from that to which the receiver is connected.
- Consult the dealer or an experienced radio/TV technician for help.

WARNING:

TO PREVENT FIRE OR SHOCK HAZARD, DO NOT EXPOSE THIS PRODUCT TO RAIN OR ANY TYPE OF MOISTURE.

CAUTION:

To assure continued compliance with FCC rules, do not make any unauthorized modifications. When programming emergency numbers and/or making test calls to emergency numbers:

- 1) Remain on the line and briefly explain to the dispatcher the reason for the call before hanging up.
- 2) Perform such activities in the off-peak hours, such as early morning hours or late evenings.

If there is any trouble, disconnect the unit from the extension line and connect a known working phone. If the known working phone operates properly, have it repaired by one of the specified Panasonic Factory Service Centers. If the known working phone does not operate properly, check the Electronic Modular Switching System and the internal extension wiring.

- Keep the unit away from heating appliances and electrical noise generating devices such as fluorescent lamps and motors.
- The unit should be kept free of dust, moisture and vibration, and should not be exposed to direct sunlight.
- Do not use benzine, thinner, or the like, or any abrasive powder to clean the cabinet. Wipe it with a soft cloth.
- Do not use any handset other than Panasonic handset.

This telephone provides magnetic coupling for hearing aids.

**Panasonic Consumer Electronics
Company, Division of Matsushita
Electric Corporation of America**

One Panasonic Way, Secaucus,
New Jersey 07094

www.panasonic.com

**Panasonic Sales Company (“PSC”),
Division of Matsushita Electric of
Puerto Rico, Inc.**

Ave. 65 de Infantería, Km. 9.5,
San Gabriel Industrial Park, Carolina,
Puerto Rico 00985

Copyright:

This manual is copyrighted by Kyushu Matsushita Electric Co., Ltd. (KME).

Under the applicable copyright laws, this manual may not be reproduced in any form, in whole or part, without the prior written consent of KME and its licensee.

© 2001 Kyushu Matsushita Electric Co., Ltd. All Rights Reserved.